

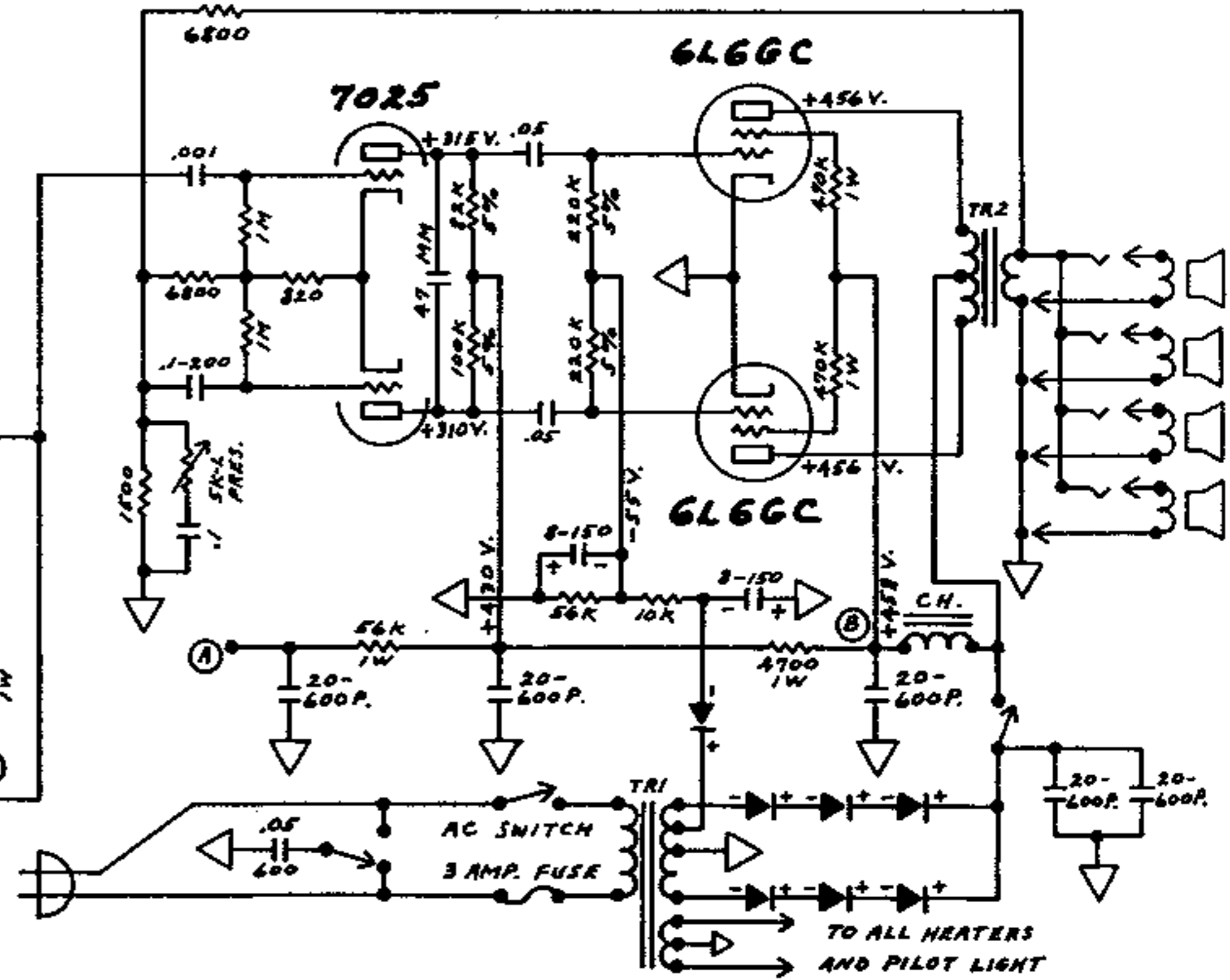
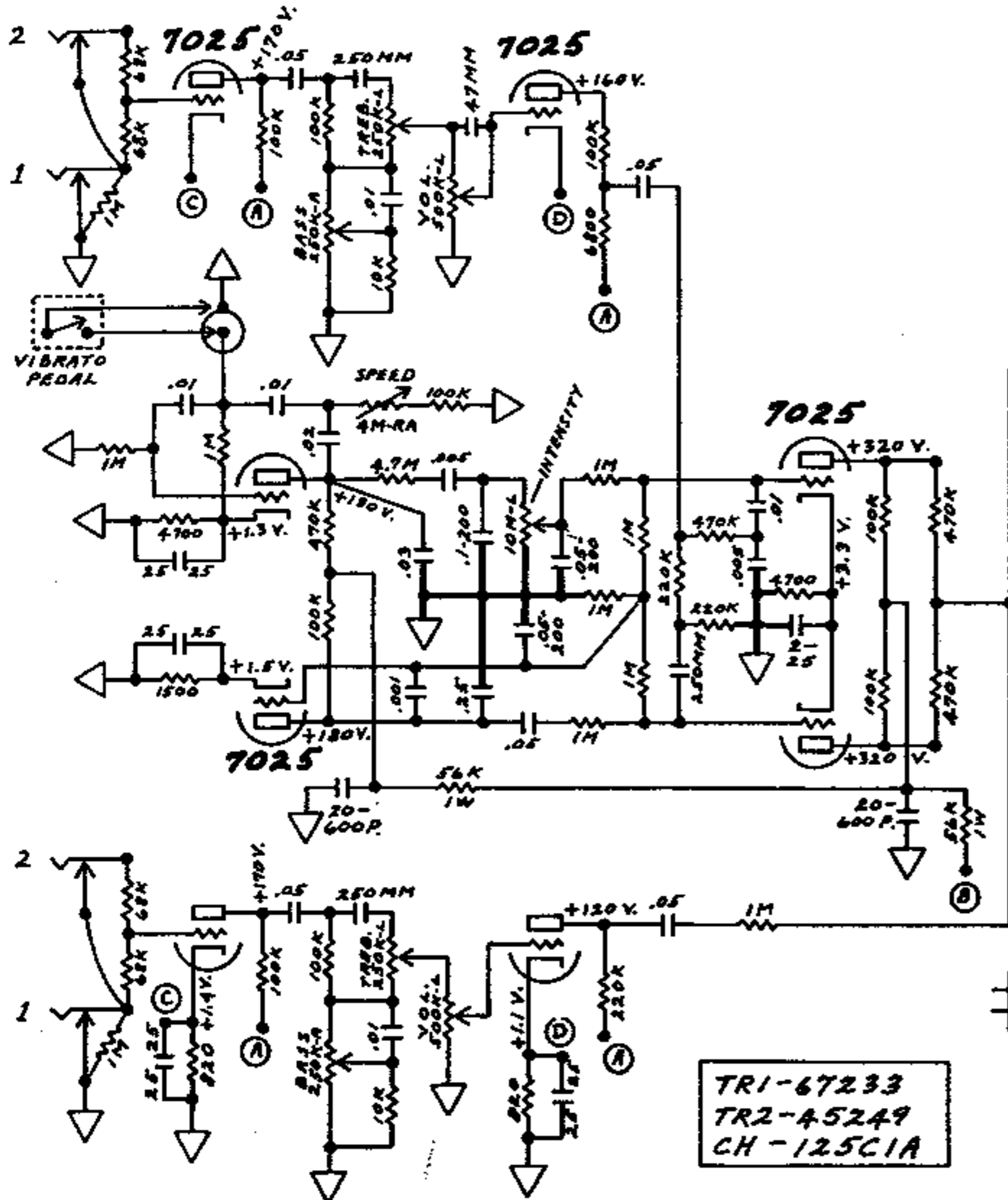
FENDER "CONCERT" SCHEMATIC

MODEL 6612

A-FJ

NOTICE

- 1 - VOLTAGES READ TO GROUND WITH ELECTRONIC VOLTMETER. VALUES SHOWN + OR -
- 2 - ALL RESISTORS 1/2 WATT IF NOT SPECIFIED
- 3 - ALL CONDENSERS AT LEAST 400 VOLTS IF NOT SPECIFIED



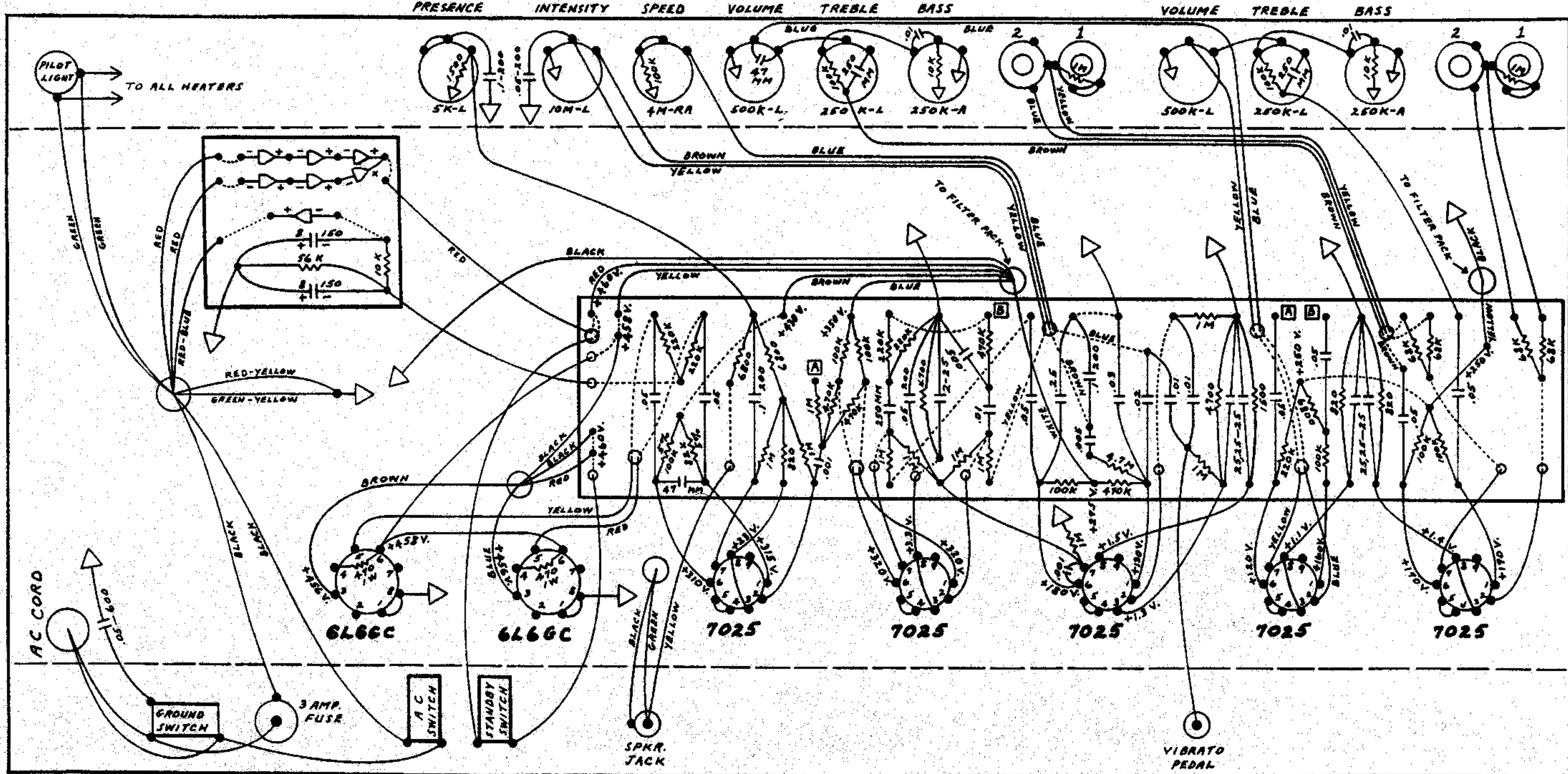
TR1-67233
TR2-45249
CH-125C1A

FENDER "CONCERT" LAYOUT MODEL 6G12

A-FJ

NOTICE

VOLTAGES READ TO GROUND WITH ELECTRONIC
VOLTMETER. VALUES SHOWN + OR - 20%



NOTE - ALL RESISTORS 1/2 WATT, 10% TOLERANCE UNLESS SPECIFIED

NOTE - ALL CAPACITORS AT LEAST 400 VOLT RATING UNLESS SPECIFIED