

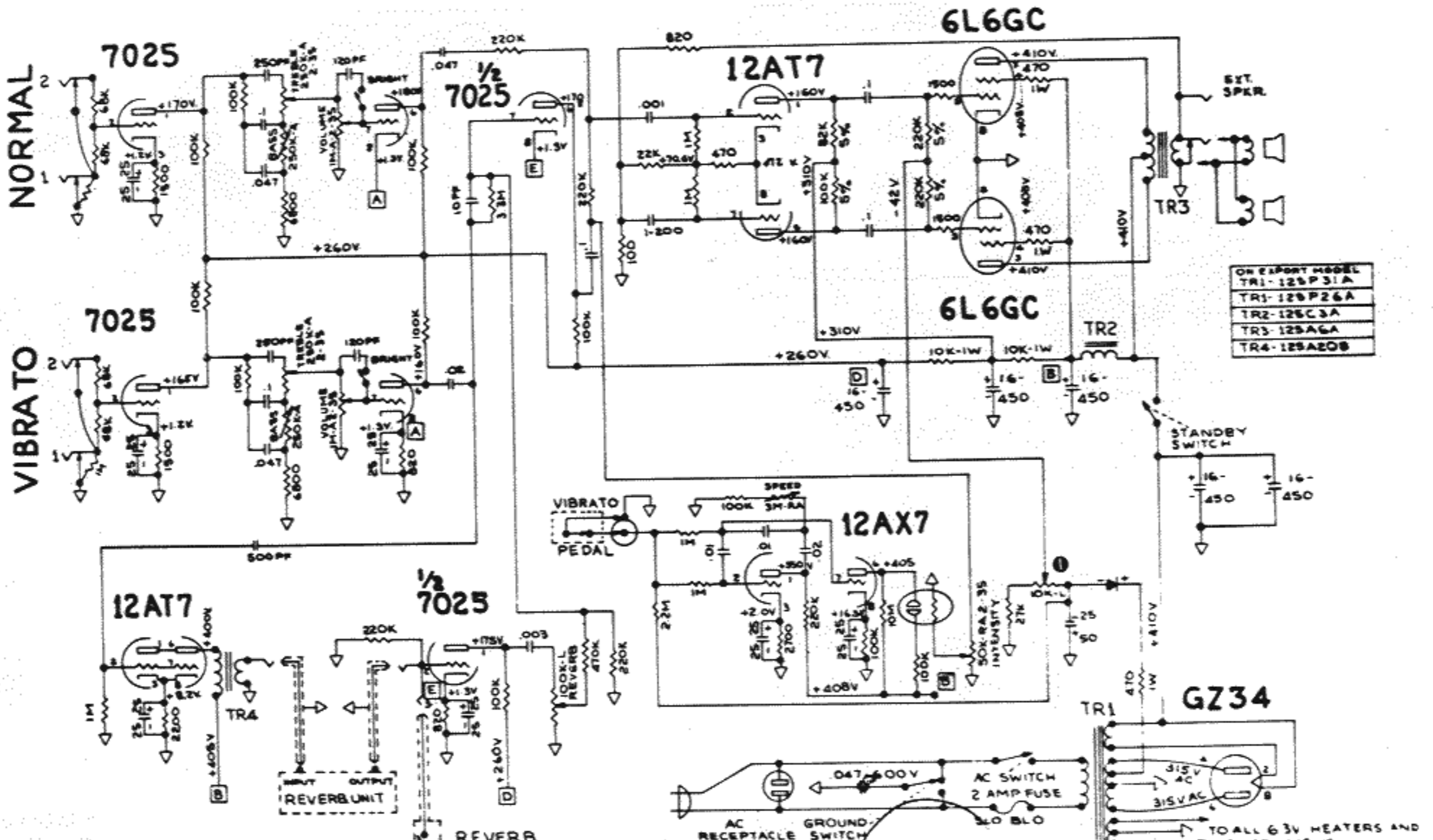
FENDER "VIBROLUX REVERB-AMP AA964" SCHEMATIC

NOTICE

THIS PRODUCT MANUFACTURED UNDER ONE OR MORE OF THE FOLLOWING U.S. PATENTS: #2817708, #2973481, 192859 #PATENTS PENDING.

J-FD

- 1- VOLTAGES READ TO GROUND WITH ELECTRONIC VOLTMETER VALUES SHOWN + OR - 20%.
- 2- ALL RESISTORS 1/2 WATT 10% TOLERANCE IF NOT SPECIFIED.
- 3- ALL CAPACITORS AT LEAST 400 VOLT RATING IF NOT SPECIFIED.



ON EXPORT MODEL
TR1-12BP31A
TR2-126C3A
TR3-12BAG6
TR4-12BA20B

FENDER MUSICAL INSTRUMENTS
 A DIV. OF THE COLUMBIA RECORD CO. OF CALIFORNIA, INC.
 SANTA ANA, CALIFORNIA
 U.S.A.

FENDER MODEL

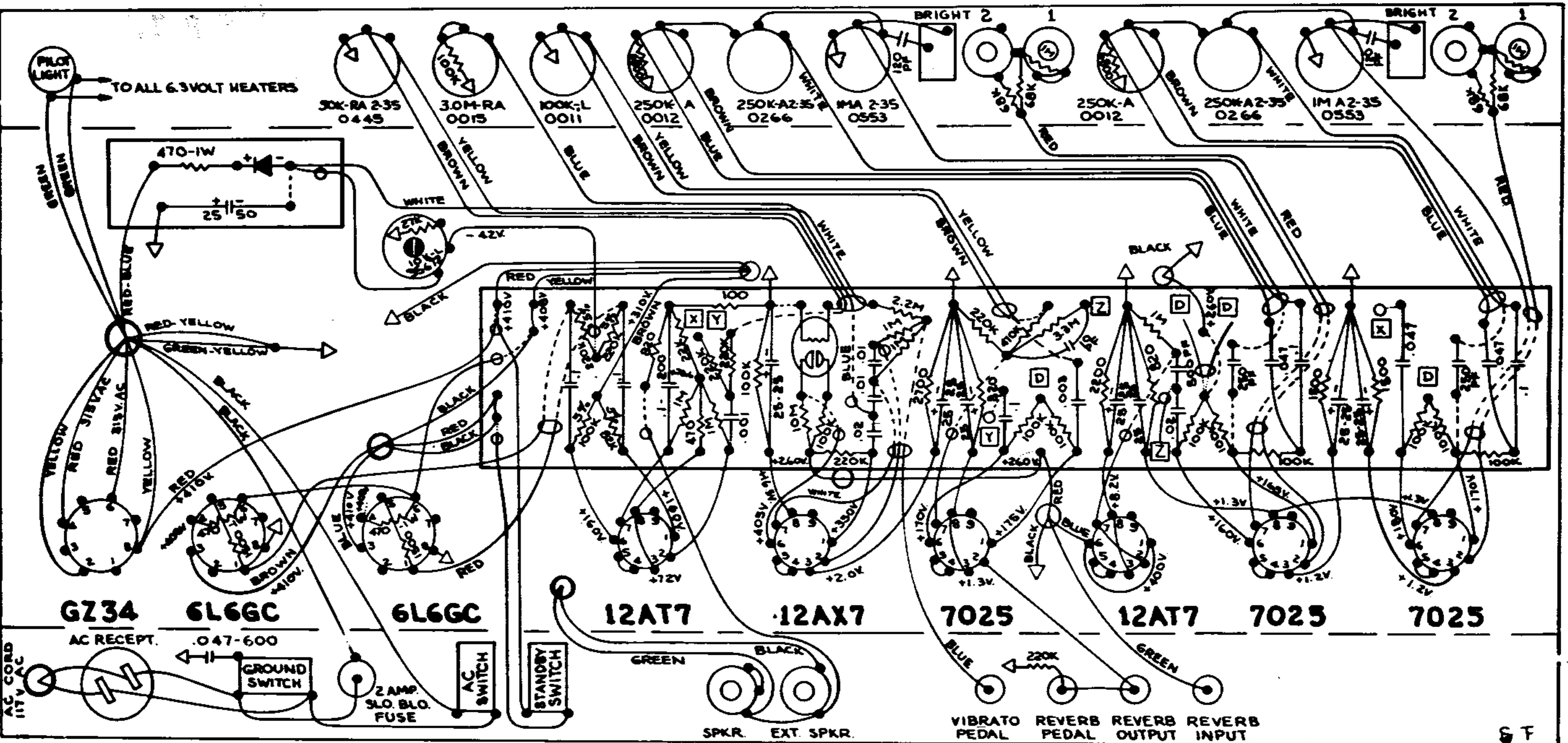
"VIBROLUX REVERB-AMP AA964" LAYOUT

NOTICE

VOLTAGES READ TO GROUND WITH ELECTRONIC VOLTMETER. VALUES SHOWN + OR - 20%.

J-FD

INTENSITY SPEED REVERB BASS TREBLE VOLUME VIBRATO BASS TREBLE VOLUME NORMAL



NOTE: ALL RESISTORS 1/2 WATT 10% TOLERANCE, IF NOT SPECIFIED.

NOTE: ALL CAPACITORS AT LEAST 400 VOLT RATING IF NOT SPECIFIED

FENDER MUSICAL INSTRUMENTS
 A DIVISION OF COLUMBIA RECORDS DISTRIBUTION CORP.
 SANTA ANA, CALIFORNIA
 U.S.A.