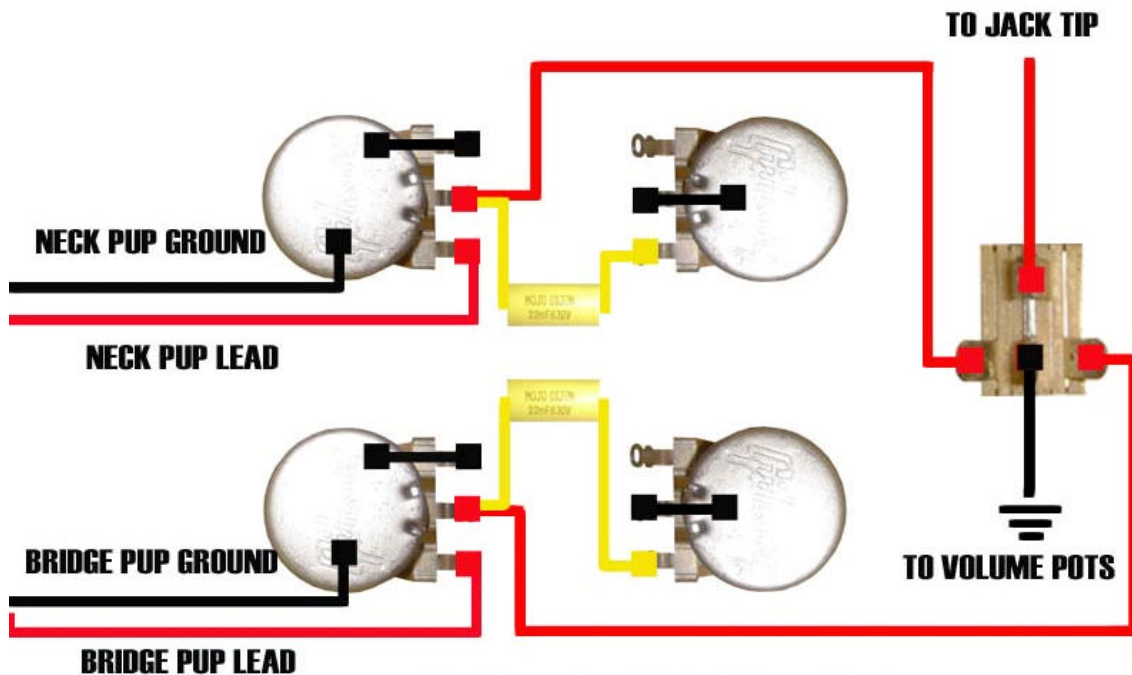


Gibson 2 Humbucker Wiring Diagram

This is a standard wiring diagram for dual humbucker Gibson Style Guitars. It's modeled after the late 50's early 60's style wiring. The diagram doesn't show our grounding method. Here's how we do it...

Grounding: Starting with the neck volume pot, you will jump a ground wire from the back of the pot to the neck tone pot, to the bridge tone pot, to the bridge volume pot. Kind of a U pattern. This method gives you a start and finish without creating a ground loop. You will then ground your switch to the back of one pot. We recommend the back of the neck tone pot. The input jack should have the shortest distance to ground as possible. We ground this to the bridge tone pot closest to the jack.

Volume Mod(Stock on most prewired assemblies): Jump a 220k resistor and a 471pf capacitor parallel from the un grounded outer lug (the same lugs that the pickup leads go to) to the center lug on each volume pot. This will give you a smooth taper and preserve your highs when you turn down. This also helps bring your pickups to life a little.



**NOTE: ALL POTS MUST BE GROUNDED.
JACK SLEEVE NEEDS TO BE GROUNDED.**