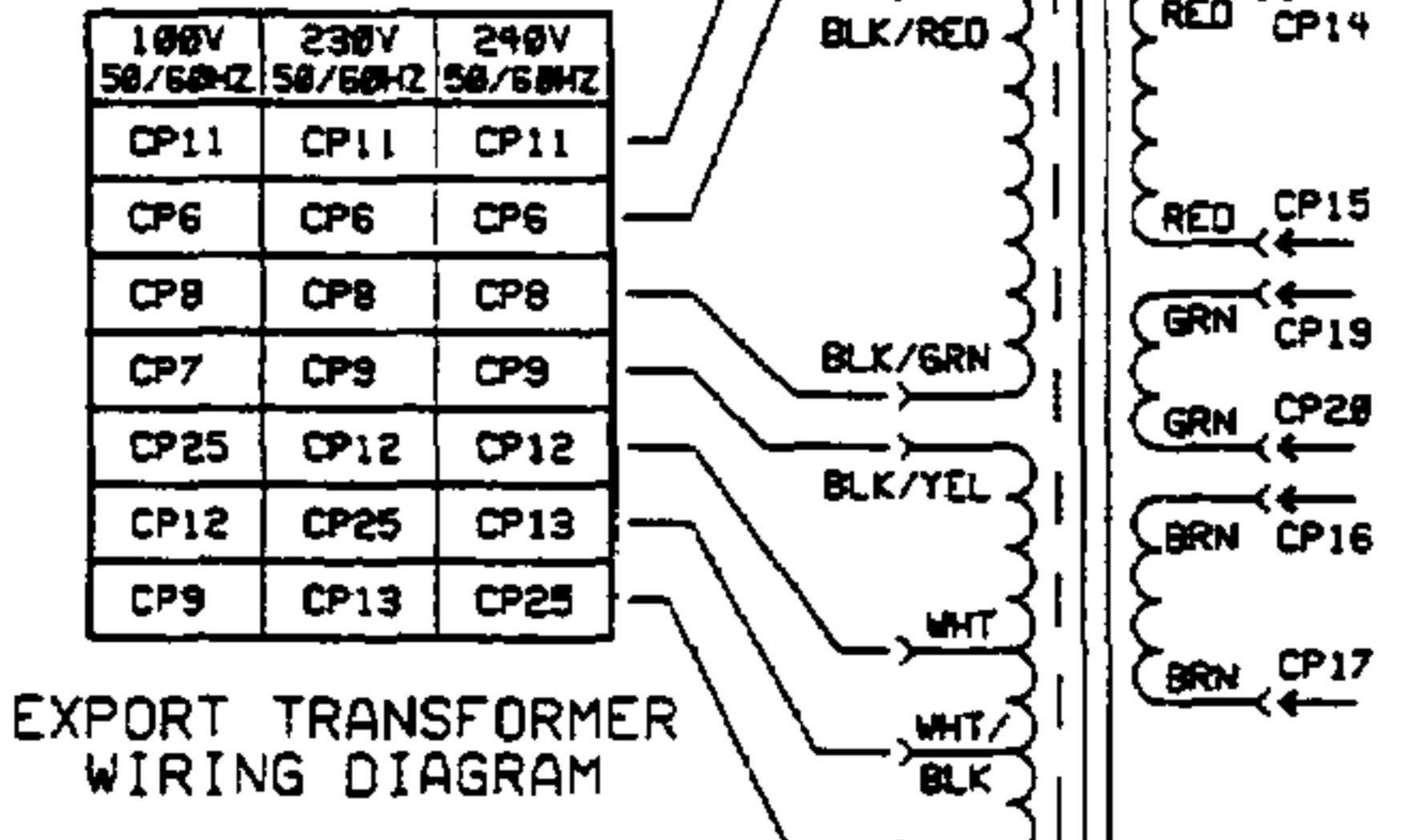
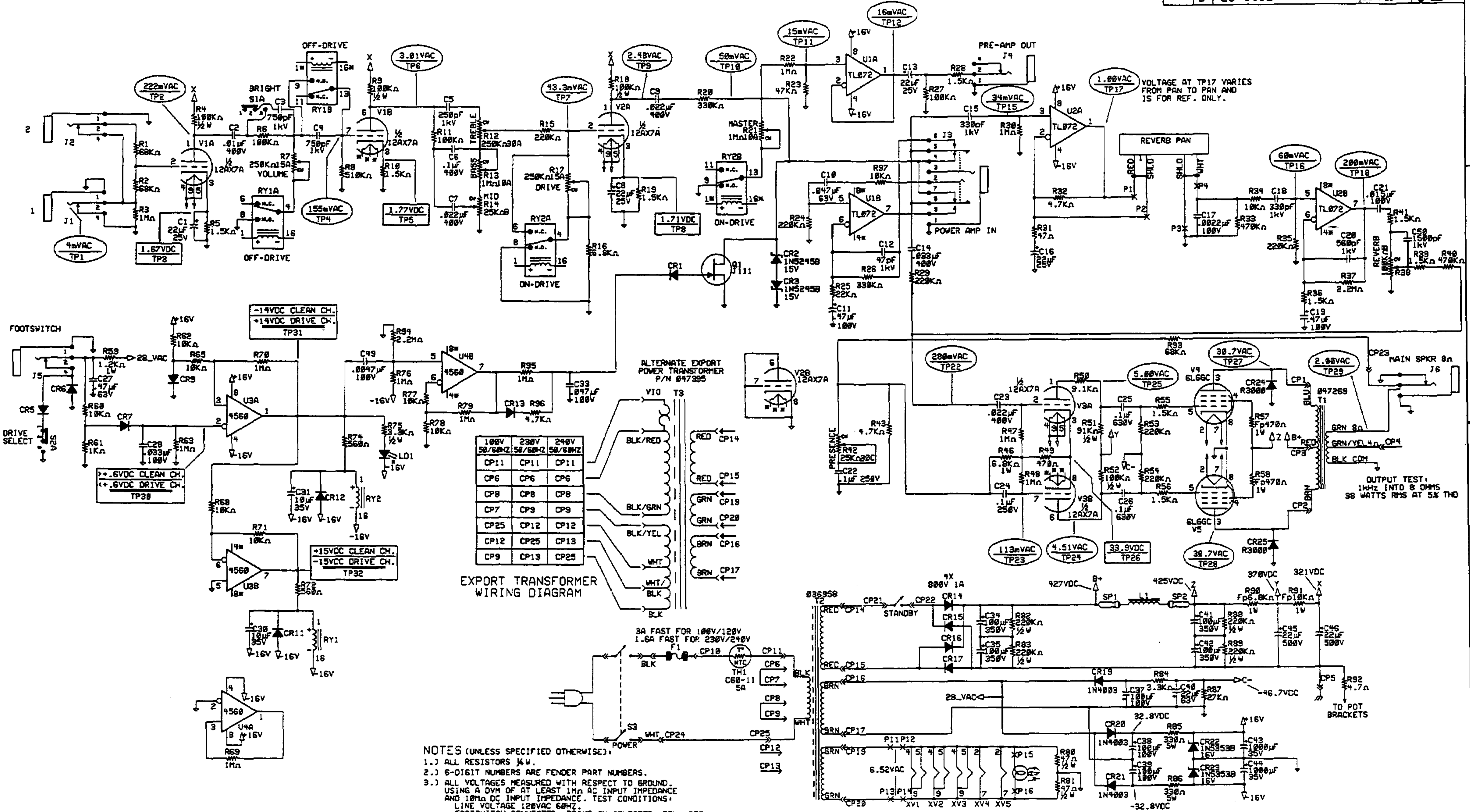


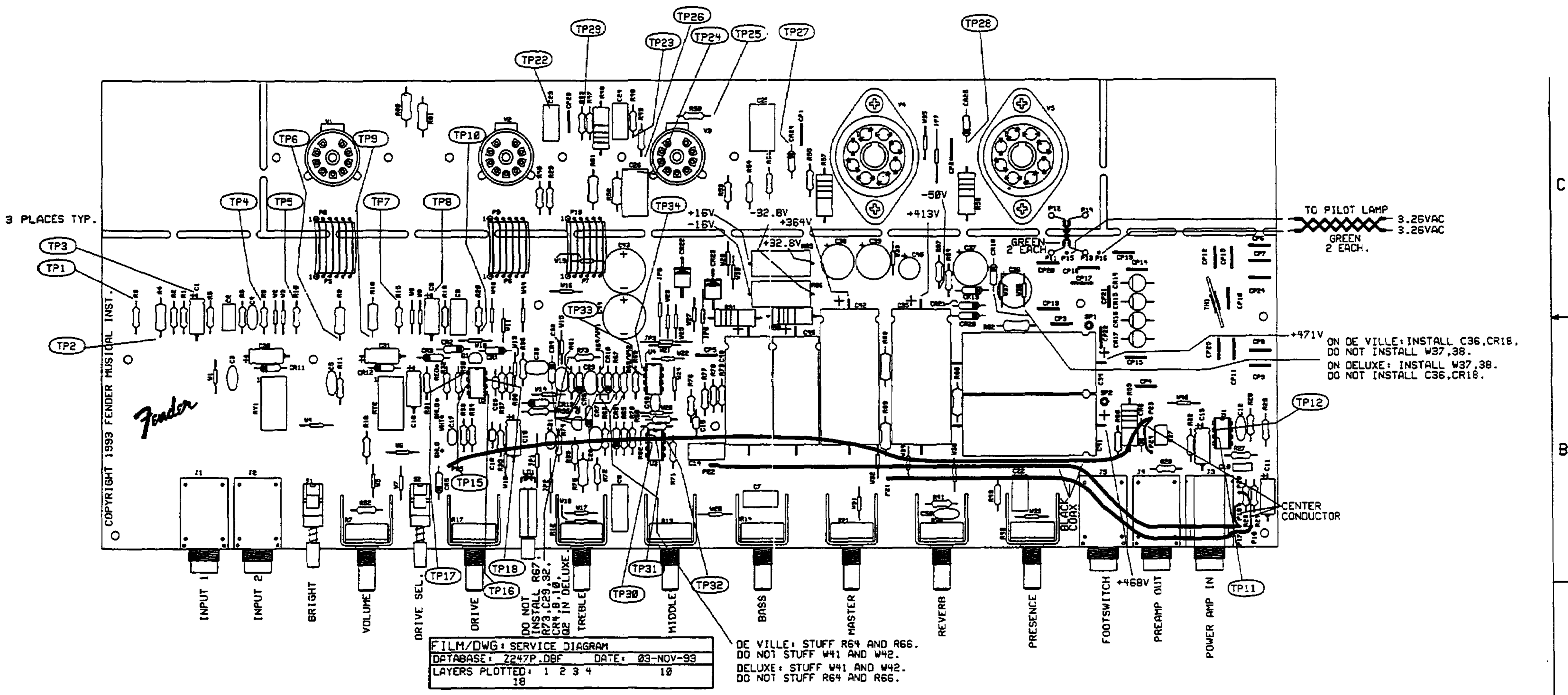
REVISIONS				
ZONE	REV.	DESCRIPTION	DATE	APPROVED
	A	RELEASED PR #246	17-SEP-93	PW
	B	EC 1067	03-NOV-93	PW
	C	EC 1084	09-DEC-94	PW
	D	EC 1112	08-FEB-94	PW



- NOTES (UNLESS SPECIFIED OTHERWISE):
- 1.) ALL RESISTORS 1/4W.
 - 2.) 6-DIGIT NUMBERS ARE FENDER PART NUMBERS.
 - 3.) ALL VOLTAGES MEASURED WITH RESPECT TO GROUND, USING A DVM OF AT LEAST 1MΩ AC INPUT IMPEDANCE AND 10MΩ DC INPUT IMPEDANCE. TEST CONDITIONS: LINE VOLTAGE 120VAC 60HZ, FOOTSWITCH CONNECTED, DRIVE CH SELECTED, REV. OFF, ALL CONTROLS 50% ROT. EXCEPT REVERB 0%. SUPPLY AND BIAS VOLTAGES MAY VARY +5%, -10%. SIGNAL VOLTAGES MAY VARY ±20%.
 - 4.) X WITH INSTANCE NAME = FLYWIRE CONNECTION.
 - 5.) LAST INSTANCES: TY2, LD1, U4, A1, TH1, R97, C59, CR25, T2, S3, SP25, V5, LA1, P16, J7, F1.
 - 6.) INSTANCES NOT USED: CR4, 8, 10, 18, C29, 32, 36, 47, 48, 17, R44, 45, 64, 65, 67, 73, TP13, 14, 19, 20, 21, 33, 34.
 - 7.) ALL DIODES 1N4448.

DATABASE FILE: 7246S.DBF CHECKED BY: DATE: 2-10-94 APPROVED: DATE: 2-10-94 TOLERANCES: UNLESS SPECIFIED: X.X .005" X.XX .0025" X.XXX .0015" ANGLES .050"	PROPRIETARY THIS DRAWING CONTAINS INFORMATION WHICH IS PROPRIETARY TO AND IN THE POSSESSION OF THE FENDER MUSICAL INSTRUMENTS CO. AND MAY NOT BE USED, REPRODUCED OR DISCLOSED IN ANY MANNER WITHOUT THE WRITTEN CONSENT FROM FENDER MUSICAL INSTRUMENTS CO., 1130 COLUMBIA ST., BREA, CALIFORNIA 92621. NEXT HIGHER ASSEMBLY: BLUES DELUXE	MUSICAL INSTRUMENTS 1130 Columbia Street Brea, CA 92621 TITLE: BLUES DELUXE SCHEMATIC DIAGRAM SIZE: DRAWN: P. MIERS ENGR: P. MIERS DRAWING NUMBER: 047019 REV. D CREATED: 23-SEP-93 PLOTTED: 09-FEB-94 SHEET 1 OF 1
--	---	--

SHEET 004702000 PART NO.



3 PLACES TYP.

COPYRIGHT 1993 FENDER MUSICAL INSTR.

Fender

TO PILOT LAMP
3.26VAC
GREEN
2 EACH.

+471V
ON DE VILLE: INSTALL C36,CR18,
DO NOT INSTALL W37,38.
ON DELUXE: INSTALL W37,38.
DO NOT INSTALL C36,CR18.

CENTER CONDUCTOR

FILM/DWG: SERVICE DIAGRAM
 DATABASE: 2247P.DBF DATE: 03-NOV-93
 LAYERS PLOTTED: 1 2 3 4 10 18

DE VILLE: STUFF R64 AND R66.
 DO NOT STUFF W41 AND W42.
 DELUXE: STUFF W41 AND W42.
 DO NOT STUFF R64 AND R66.

NOTE:
 1) TEST POINTS TP33,34 NOT APPLICABLE ON DELUXE.
 2) PCB SHOWN AS FABRICATED.

REVISIONS				
ZONE	REV.	DESCRIPTION	DATE	APPROVED
	A	RELEASED PR247	17-SEP-93	✓

DATABASE FILE: 2247P.DBF CHECKED BY: DATE: APPROVED: DATE: TOLERANCES: X.X .050" X.XX .010" X.XXX .005" ANGLES .500"	PROPRIETARY <small>THIS DRAWING DOCUMENT CONTAINS INFORMATION WHICH IS PROPRIETARY TO AND IS THE PROPERTY OF THE FENDER MUSICAL INSTRUMENTS CO. AND MAY NOT BE USED, REPRODUCED OR DISCLOSED IN ANY MANNER WITHOUT THE WRITTEN PERMISSION OF FENDER MUSICAL INSTRUMENTS CO. 1130 COLUMBIA ST. BREA, CALIFORNIA 92621</small>	FENDER MUSICAL INSTRUMENTS 1130 Columbia Street Brea, CA 92621 TITLE: SERVICE DIAGRAM BLUES DE VILLE/DELUXE SIZE: DRAWN: WIERS DRAWING NUMBER: 047005 REV. D CDR: WIERS CREATED: 03-NOV-93 PLOTTED: 03-NOV-93 SHEET 1 OF 1
--	--	---