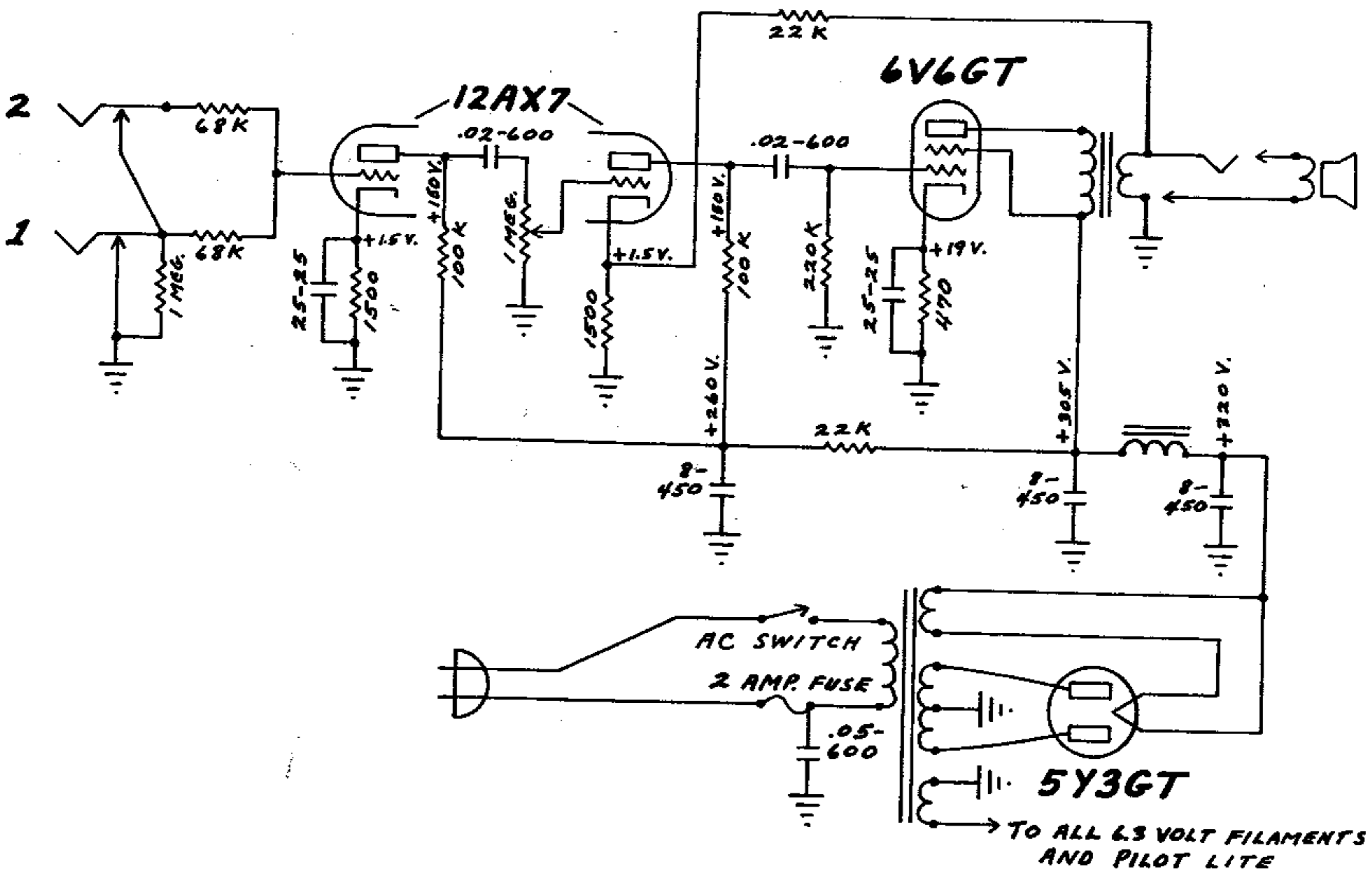


FENDER "CHAMP-AMP" SCHEMATIC

MODEL 5E1

H-EE



FENDER "CHAMP-AMP" LAYOUT

MODEL 5E1

NOTICE

VOLTAGES READ TO GROUND
WITH ELECTRONIC VOLTMETER
VALUES SHOWN + OR - 20%

H-EE

